

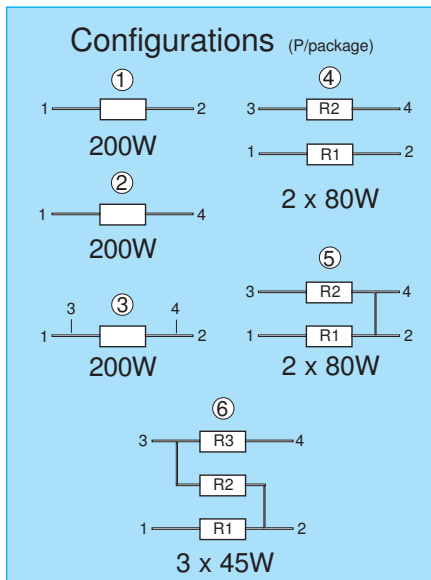
Series HXP 200, SOT 227 200 Watt Power Resistor in the "ISOTOP" Power Device

Due to a non inductive design these elements are ideally suited for high frequency and pulse load applications. By direct mounting on a heatsink significant cost advantages can be realized. The type HXP can be supplied in a 2-terminal or 4-terminal version. Even double resistors are available. Main applications are: Variable speed Drives, Power Supplies, Control Devices, Telecom, Robotics, Motor Controls and other switching designs.

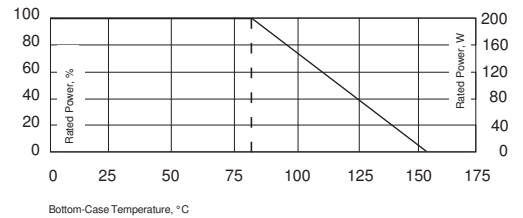
Specials and custom designed components on request.

Specifications

- Resistance Range: 0.1Ω to 1MΩ
- Tolerance: ±1%, 2%, 5%, 10%
- Temperature coefficient: ±50, ±100ppm, ±250ppm (at +105°C ref. to +25°C)
- Max. Work. Voltage: 500V (up to 1,000V on special request)
- Power Rating at 85°C: 200W (see derating)
- Short Time Overload: 1.25 x rated power @ 85°C Bottom Case Temp. for 10sec, ΔR = 0.4% max. (for conf. 1, 2 and 3)
- Partial Discharge: up to 2,000Vrms/80 pC
- Voltage Proof: Dielectric Strength up to 4,000V DC against ground
- Insulation Resistance: 10GΩ Min. @ 1kV DC
- Isolation voltage between R1 and R2: 500V 1000V on special request
- Protectionclass: acc. to IEC 950/CSA22.2 950/ M-89 and EN 60950.88: 2
- Heat Resistance to Cooling Plate: $R_{th} < 0.35 \text{ K/W}$
- Capacitance/Mass: 45pF
- Serial Inductivity: HXP-1 typical 40 nH
- Working Temp. Range: -55°C to +155°C
- Max. Torque for Base Plate (static): 1.5 Nm M4 screws
- Max. Torque for Contacts (static): 1.3 Nm. M4 screws
- For pulse power details, please see page 32 (datasheet UXP-300)!

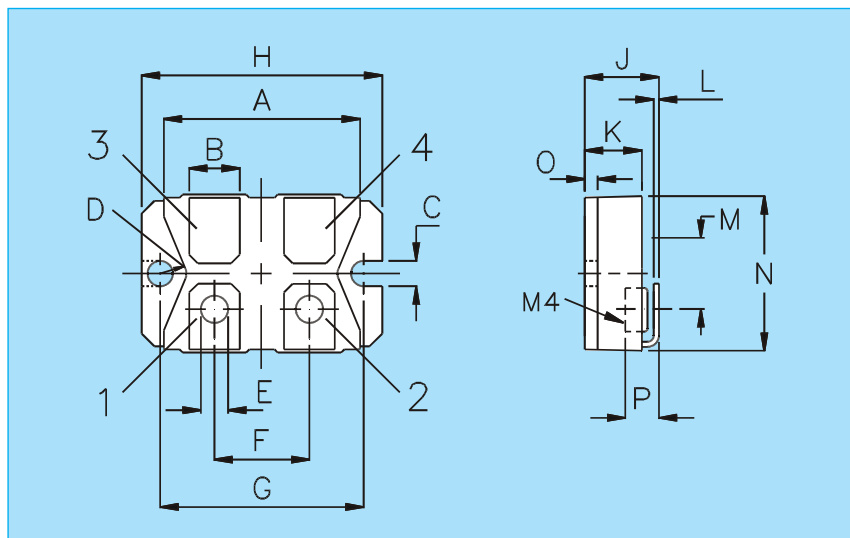


Version 5: ohmic value between contact 2 and 4 = 3mΩ



Derating (thermal resistance): 2.86W/°K (0.35°K/W). (for conf. 1, 2 and 3)

Best results can be reached by using a thermal transfer compound with a heat conductivity of better than 1W/mK. The flatness of the cooling plate must be better than 0.05mm overall. The roughness of the surface should not exceed 6.4μm.



Dim.	Millimeters		Inches	
	Min.	Max.	Min.	Max.
A	31.0	32.0	1.220	1.260
B	7.8	8.2	0.307	0.323
C	4.1	4.3	0.162	0.169
D	4.0	--	0.158	--
E	4.1	4.3	0.162	0.169
F	14.9	15.1	0.587	0.595
G	30.1	30.3	1.186	1.193
H	37.7	38.3	1.484	1.508
J	11.8	12.2	0.465	0.481
K	8.9	9.1	0.351	0.359
L	0.75	0.85	0.030	0.033
M	12.6	12.8	0.496	0.504
N	24.4	25.4	0.960	1.001
O	1.95	2.05	0.077	0.081
P	5.3	--	0.209	--

In the above spec sheet, you will find our standard product, please contact your local manufacturing representative or call us direct to find out details of other options available regarding this style. Please see our website for the most updated information!