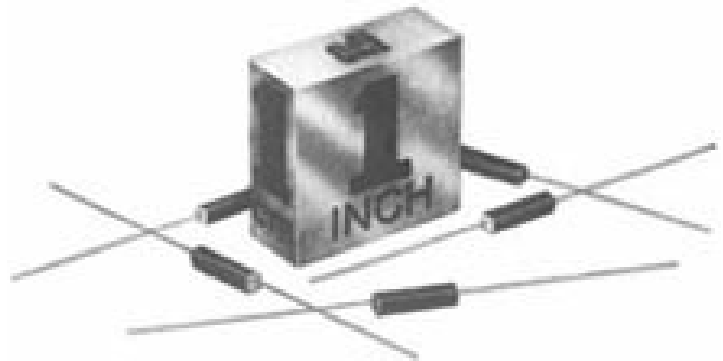




SL300 thru SL 1200

FAST RECOVERY, 100ns.HIGH VOLTAGE
40 ma, MINIATURE RECTIFIERS

- 1 INCH MINIMUM LEADS
- SMALL SIZE MOLDED PACKAGE
- PRV 3,000 TO 12,000 VOLTS
- AVALANCHE CHARACTERISTICS
- LOW LEAKAGE



EDI Type	PRV Volts
SL300	3,000
SL500	5,000
SL800	8,000
SL1000	10,000
SL1200	12,000

ELECTRICAL CHARACTERISTICS (at T_A=25 °C Unless Otherwise Specified)

Average Rectified Forward Current @ 50°C, I _O	40 mA
Max. Peak Surge Current, I _{FSM} (8.3ms) (Fig.2)	3 Amp
Max. Reverse Recovery (Fig.4) t _{rr}	100nanosec
Max. Forward Voltage Drop @ 25 mA, V _F	26Volts
Max. DC Reverse Current @ PRV and 25°C, I _R	1 μA
Max. DC Reverse Current @ PRV and 100°C, I _R	15 μA
Ambient Operating Temperature Range, T _A	-55 °C to +150 °C
Storage Temperature Range, T _{STG}	-55 °C to +150 °C

NOTES:

- 1.It is recommended that a proper heat sink be used on the terminals of this device between the body and soldering point to prevent damage from excess heat.
- 2.If operated over 10,000v/inch in length, devices should be immersed in oil or re - encapsulated.

EDI reserves the right to change these specifications at any time without notice.

SL300 thru SL1200

FIG.1

OUTPUT CURRENT vs AMBIENT TEMPERATURE

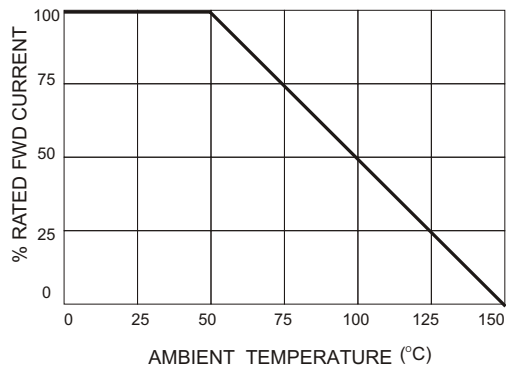


FIG.2

NON-REPETITIVE SURGE CURRENT

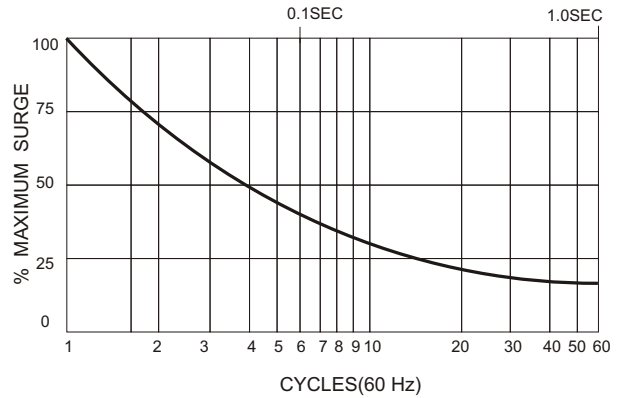


FIG.3

MECHANICAL

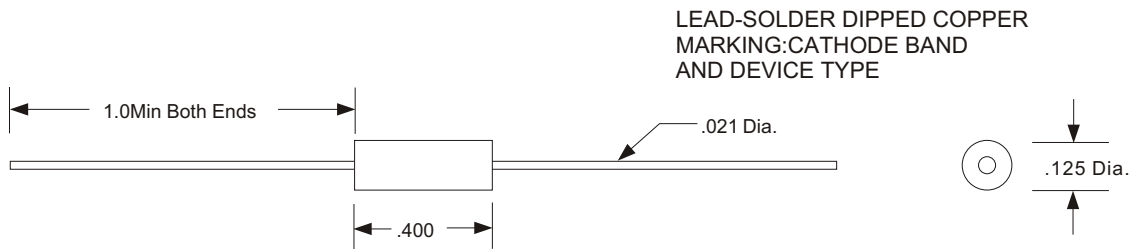
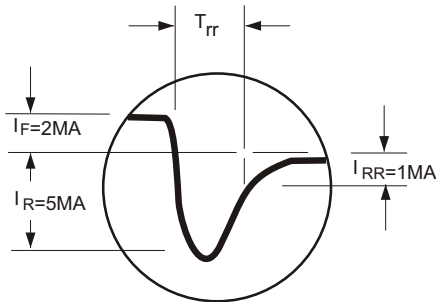


FIG.4

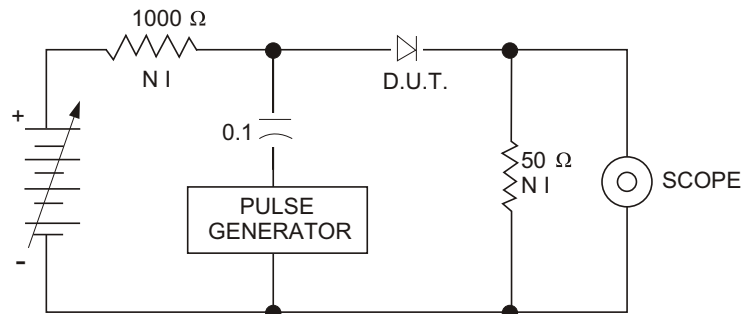
REVERSE RECOVERY TEST METHOD

RECOVERY WAVE FORM



WAVE FORMS

RECOVERY WAVE FORM



CIRCUIT

ELECTRONIC DEVICES, INC. DESIGNERS AND MANUFACTURERS OF SOLID STATE DEVICES SINCE 1951.

21 GRAY OAKS AVENUE * YONKERS, NEW YORK 10710 914-965-4400 * FAX 914-965-5531 * 1-800-678-0828

e-mail: sales@ediododes.com * website: <http://www.ediododes.com>