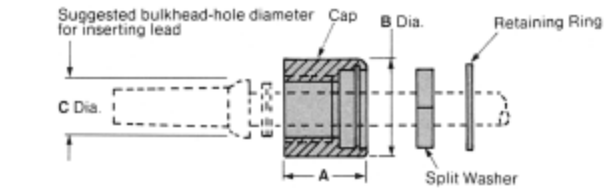


### Accessories

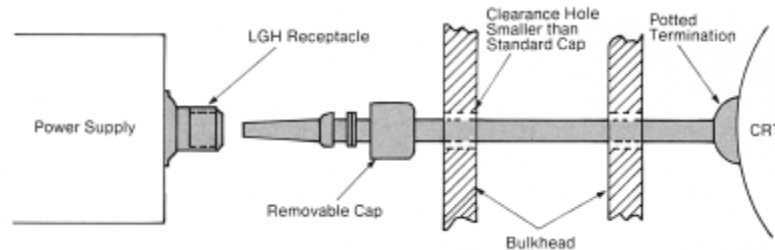
#### Removable Cap Kits

These kits provide a quick and easy means of replacing damaged caps on standard LGH molded-end lead assemblies. Removing leads from bulkheads, enlarging holes in bulkheads or disconnecting leads from potted connections is unnecessary. Simple disconnection of the lead with the damaged cap is the only required step before installing the replacement. These cap kits also can be useful for applications which require threading leads through small openings in bulkheads, as illustrated at right.

#### Removable Caps



LGH Series	Dimensions			Kit Part Number
	A	B	C	
1/2 I 1/2 LI	.50 12.7	.50 12.7	.28 7.11	849275-1
1 I 1 LI	.62 15.75	.75 19.05	.44 11.18	849267-1



#### Dirt-Protective Caps

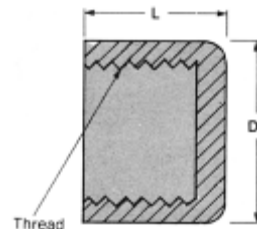
These caps protect LGH receptacles against damage to the threads and provide protection against accumulation of foreign matter on the insulator barrel and male contact. They are especially useful when receptacles are being shipped or stored.

Molded glass-epoxy caps meet specifications for MIL-M-24325 (Ships), GEI-5.

Aluminum caps, anodized black per MIL-A-8625, Type I, has an attached retaining chain. A silicone rubber gasket within provides a moisture and dust-proof seal.

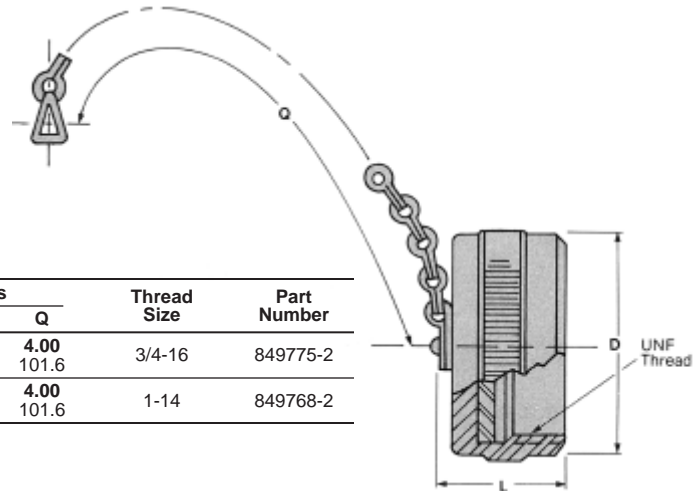
These protective caps do not replace caps provided with LGH lead assemblies.

#### Glass-Epoxy Cap



LGH Series	Dimensions		Thread Size	Part Number
	L	D		
1/2 I 1/2 LI	.25 6.35	.44 11.18	5/16-32 (M)	850512-1
1 I 1 LI	.50 12.7	.63 16	1/2-20 (M)	850513-1
2 I	.56 14.22	1.12 28.45	3/4-16 (M)	850514-1
4 I	.56 14.22	1.37 34.8	1-14 (M)	850515-1

#### Aluminum Cap

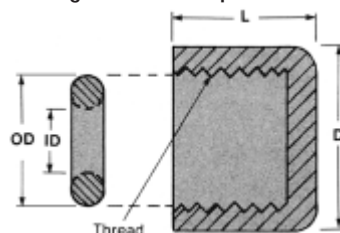


LGH Series	Dimensions			Thread Size	Part Number
	L	D	Q		
2 I	.71 18.03	.91 23.11	4.00 101.6	3/4-16	849775-2
4 I	.76 19.3	1.21 30.73	4.00 101.6	1-14	849768-2

#### Arcing-Protective Caps

A multiple output power supply with vacant receptacles can be operated safely at high altitudes without fear of breakdown if floating receptacles are sealed with protective caps shown here.

#### Arcing-Protective Cap



LGH Series	Dimensions				Thread Size	Part Number
	L	D	O.D.	I.D.		
1/2 I 1/2 LI	.25 6.35	.44 11.18	.28 7.11	.14 3.56	5/16-32	849055-1
1 I 1 LI	.50 12.7	.62 15.75	.44 11.18	.23 5.84	1/2-20	849252-1
2 I	.56 14.22	1.12 28.45	.69 17.53	.50 12.7	3/4-16	849253-1
4 I	.56 14.22	1.37 34.8	.94 23.88	.75 19.05	1-14	849254-1