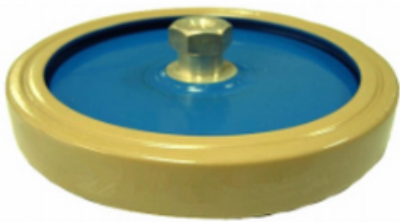


High Voltage RF Power Capacitors Class 1 Ceramic

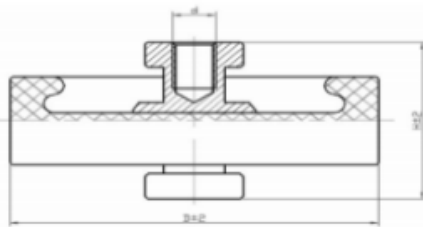
Plate Type



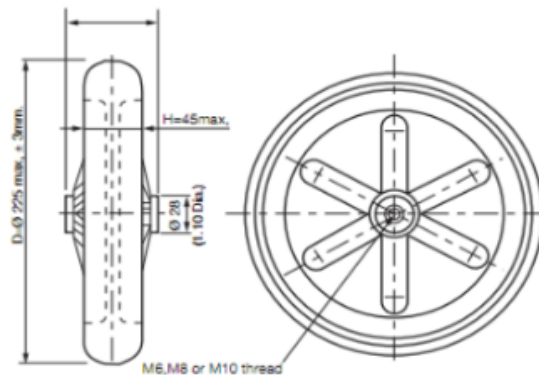
Finger Terminal Type



Plate Type



Finger Terminal Type



MATERIAL

Capacitor elements made from Class 1 ceramic dielectric with noble metal electrodes.

Flexible connection terminals copper/brass, silver plated, to allow for series and parallel interconnection.

FINISH

Noble metal electrodes and terminals protective lacquered.
The contoured insulating rim is additionally glazed.

FEATURES

- Low losses

- High reliability
- High voltage ratings

APPLICATIONS

These high technology are designed for usage in high frequency Induction heating and welding equipment where high voltage ratings are required.

CAPACITANCE RANGE

50 pF to 6000 pF

CAPACITANCE TOLERANCE

± 10 % , ± 20 %

CERAMIC DIELECTRIC

N750: (- 750 ppm/ °C)

RATED VOLTAGE

3.3 to 30 kVp (= RF peak voltage + DC voltage)

DIELECTRIC STRENGTH TEST

UR ≤ 15KV: 200% of UR

UR > 15KV: 150% of UR

DISSIPATION FACTOR

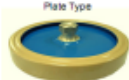
Max. 0.006 %

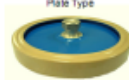
INSULATION RESISTANCE


Min. 10 000 MΩ (at 25 °C)

OPERATING TEMPERATURE RANGE

- 40 °C to + 85 °C

Part Number 	Cap.(PF)		Rated Voltage(KV)		Reactive	Dissipation	Insulation	Dimensions (mm)		
	Value	Tol.	DC Voltage	H.F Voltage	Power	Factor	Resistance	D	H	d
				(rms)						
HVCHF81-A-50P-15	50	±10%	15	12	10	0.006%	10000MΩ	45	55	M6
HVCHF81-A101-12	100	±10%	12	10	18	0.006%	10000MΩ	60	39	M6
HVCHF81-A151-12	150	±10%	12	10	12	0.006%	10000MΩ	60	38	M6
HVCHF81-A201-8	200	±10%	8	5	12	0.006%	10000MΩ	60	34	M6
HVCHF81-A301-12	300	±10%	12	10	8	0.006%	10000MΩ	60	33	M6
HVCHF81-A401-7	400	±10%	7	5	8	0.006%	10000MΩ	60	32	M6
HVCHF81-A451-7	450	±10%	7	5	8	0.006%	10000MΩ	60	31	M6
HVCHF81-A501-10	500	±10%	10	8	8	0.006%	10000MΩ	60	31	M6
HVCHF81-B101-13	100	±10%	13	10	15	0.006%	10000MΩ	80	39	M6
HVCHF81-B202-15	200	±10%	15	12	25	0.006%	10000MΩ	80	37	M6
HVCHF81-B301-15	300	±10%	15	12	30	0.006%	10000MΩ	80	35	M6
HVCHF81-B501-15	500	±10%	15	12	15	0.006%	10000MΩ	80	34	M6
HVCHF81-B901-7	900	±10%	7	5	15	0.006%	10000MΩ	80	33	M6
HVCHF81-B102-7	1000	±10%	7	5	15	0.006%	10000MΩ	80	32	M6
HVCHF81-B152-10	1500	±10%	10	8	20	0.006%	10000MΩ	90	31	M6
HVCHF81-C301-25	300	±10%	25	20	90	0.006%	10000MΩ	110	54	M8
HVCHF81-C401-25	400	±10%	25	20	90	0.006%	10000MΩ	110	53	M8

Part Number 	Cap.(pF)		Rated Voltage(KV)		Reactive	Dissipation	Insulation	Dimensions (mm)		
	Value	Tol.	DC Voltage	H.F Voltage	Power	Factor	Resistance	D	H	d
				(rms)						
HVCHF81-C-501-15	500	±10%	15	12	90	0.006%	10000MΩ	110	48	M8
HVCHF81-C-102-10	1000	±10%	10	8	30	0.006%	10000MΩ	110	46	M8
HVCHF81-C-152-7	1500	±10%	7	4	30	0.006%	10000MΩ	110	44	M8
HVCHF81-C-252-3.3	2500	±10%	3.3	3	30	0.006%	10000MΩ	110	43	M8
HVCHF81-D-501-25	500	±10%	25	20	90	0.006%	10000MΩ	140	50	M8
HVCHF81-D-801-25	800	±10%	25	20	90	0.006%	10000MΩ	140	49	M8
HVCHF81-D-102-20	1000	±10%	20	15	100	0.006%	10000MΩ	140	50	M8
HVCHF81-D-152-15	1500	±10%	15	12	90	0.006%	10000MΩ	140	46	M8
HVCHF81-D-202-10	2000	±10%	10	8	90	0.006%	10000MΩ	140	45	M8
HVCHF81-E-501-25	500	±10%	25	20	120	0.006%	10000MΩ	150	51	M8
HVCHF81-E-152-21	1500	±10%	21	15	120	0.006%	10000MΩ	160	48	M8
HVCHF81-F-202-20	2000	±10%	20	15	130	0.006%	10000MΩ	160	46	M8
HVCHF81-F-252-10	2500	±10%	10	8	90	0.006%	10000MΩ	160	45	M8
HVCHF81-F-302-10	3000	±10%	10	8	90	0.006%	10000MΩ	160	44	M8
HVCHF81-G-102-30	1000	±10%	30	25	300	0.006%	10000MΩ	200	53	M10
HVCHF81-G-152-25	1500	±10%	25	20	250	0.006%	10000MΩ	200	50	M10
HVCHF81-G-252-20	2500	±10%	20	15	200	0.006%	10000MΩ	200	47	M10
HVCHF81-G-302-20	3000	±10%	20	15	200	0.006%	10000MΩ	200	47	M10
HVCHF81-G-502-13	5000	±10%	13	10	150	0.006%	10000MΩ	200	45	M10
HVCHF81-G-602-12	6000	±10%	12	10	150	0.006%	10000MΩ	200	45	M10

Part Number Finger Terminal Type 	Cap.(pF)		Rated Voltage(KV)		Reactive Power	Dissipation Factor	Insulation Resistance	Dimensions (mm)		
	Value	Tol.	DC Voltage	Max. Current (A)				<=	>=	D
					(KVA)					
HVCHFPE100-401-14	400	20%	14	35	40	0.006%	10000MΩ	100	40	M8
HVCHFPE100-501-14	500	20%	14	35	40	0.006%	10000MΩ	100	40	M8
HVCHFPE100-601-14	600	20%	14	35	40	0.006%	10000MΩ	100	40	M8
HVCHFPE100-801-14	800	20%	14	35	40	0.006%	10000MΩ	100	40	M8
HVCHFPE100-102-13	1000	20%	13	35	40	0.006%	10000MΩ	100	40	M8
HVCHFPE100-122-13	1200	20%	13	35	40	0.006%	10000MΩ	100	40	M8
HVCHFPE100-162-11	1600	20%	11	35	40	0.006%	10000MΩ	140	40	M8
HVCHFPE140-102-14	1000	20%	14	45	90	0.006%	10000MΩ	140	40	M8
HVCHFPE140-122-14	1200	20%	14	45	90	0.006%	10000MΩ	140	40	M8
HVCHFPE140-162-14	1600	20%	14	45	90	0.006%	10000MΩ	140	40	M8
HVCHFPE140-202-13	2000	20%	13	45	90	0.006%	10000MΩ	140	40	M8
HVCHFPE140-252-13	2500	20%	13	45	90	0.006%	10000MΩ	140	40	M8
HVCHFPE140-302-12	3000	20%	12	45	90	0.006%	10000MΩ	140	40	M8
HVCHFPE200-202-14	2000	20%	14	60	150	0.006%	10000MΩ	200	45	M10
HVCHFPE200-252-14	2500	20%	14	60	150	0.006%	10000MΩ	200	45	M10
HVCHFPE200-302-14	3000	20%	14	60	150	0.006%	10000MΩ	200	45	M10
HVCHFPE200-402-13	4000	20%	13	60	150	0.006%	10000MΩ	200	45	M10
HVCHFPE200-502-13	5000	20%	13	60	150	0.006%	10000MΩ	200	45	M10
HVCHFPE200-602-12	6000	20%	12	60	150	0.006%	10000MΩ	200	45	M10
HVCHFPEF220-202-20	2000	20%	20	60	140	0.006%	10000MΩ	225	45	M10
HVCHFPEF220-252-20	2500	20%	20	60	140	0.006%	10000MΩ	225	45	M10
HVCHFPEF220-302-17	3000	20%	17	60	140	0.006%	10000MΩ	225	45	M10
HVCHFPEF220-402-13	4000	20%	13	60	140	0.006%	10000MΩ	225	45	M10
HVCHFPEF220-502-13	5000	20%	13	60	140	0.006%	10000MΩ	225	45	M10
HVCHFPEF220-602-12	6000	20%	12	60	140	0.006%	10000MΩ	225	45	M10

Remark: HFPE for 3 Finger Terminals, HFPE for 6 Finger, HFPEF for 8 Finger Terminals.